

NOTE: DEMOLISH CEILING, TOPPING, WALL TILES AND FLOOR TILES

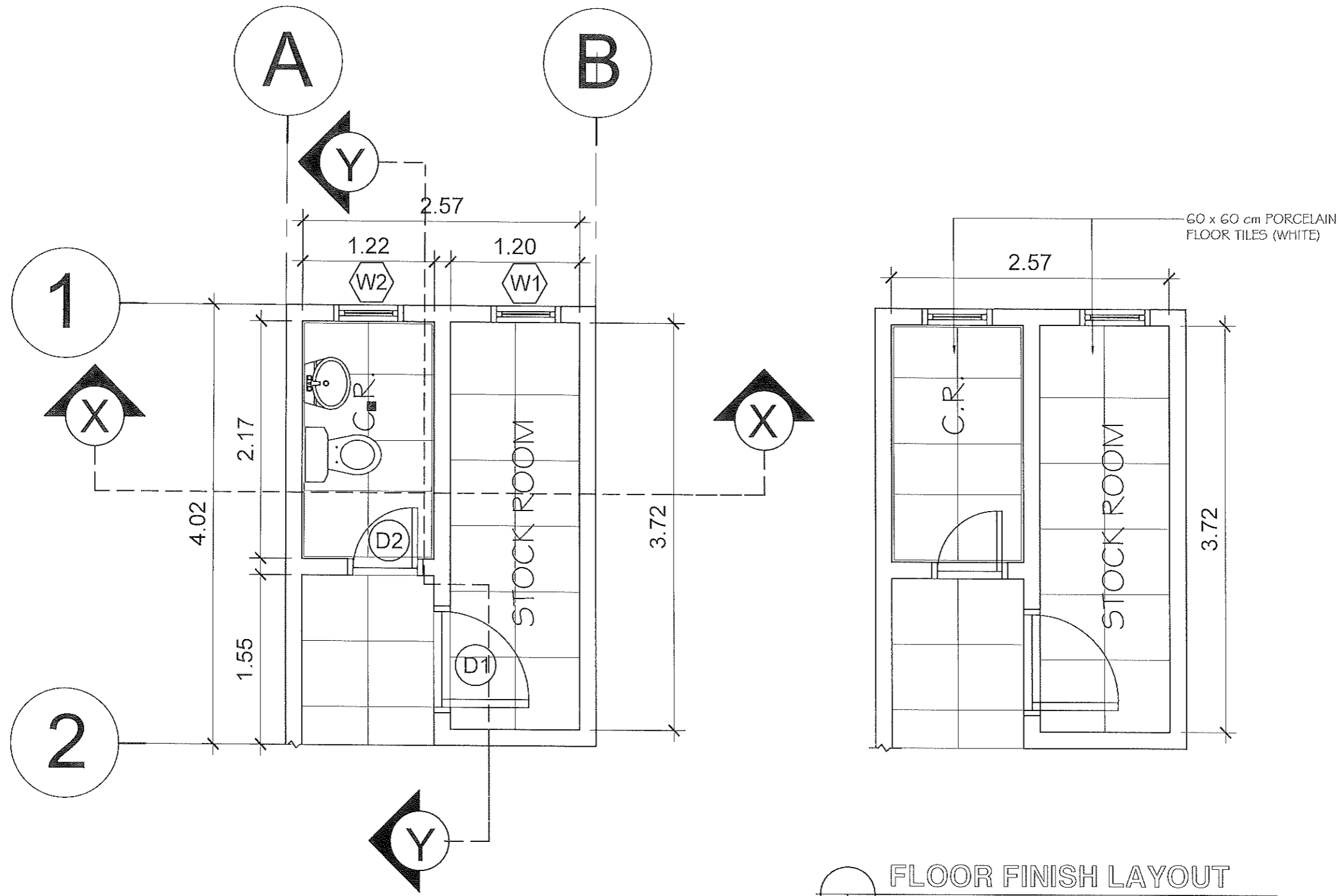
 **EXISTING FLOOR FINISH LAYOUT**  
SCALE 1:40 MTS.

 **EXISTING CEILING LAYOUT**  
SCALE 1:40 MTS.



**TARLAC STATE UNIVERSITY**  
Facilities Development and Management Office  
Romulo Boulevard, Tarlac City, Philippines 2300

PROJECT TITLE: REFURBISHMENT OF CET LIBRARY COMFORT ROOM WITH STOCKROOM AND CBA LIBRARY COMFORT ROOM	REQUESTING OFFICE: MRS. CYNTHIA M. BOGNOT LMS, DIRECTOR	CHECKED BY: ENGR. RYAN M. LAYUG FDMO-PMU, HEAD	RECOMMENDING APPROVAL: AR. FERNAND S. VALENCIA FDMO, DIRECTOR	RECOMMENDING APPROVAL: DR. MARLON V. GAMIDO VP ADMIN AND FINANCE	APPROVED BY: DR. MYRNA Q. MALLARI PRESIDENT	CHECKED: AR. FERNAND S. VALENCIA ARCHITECTURAL	SHEET CONTENTS: AS SHOWN	SHEET NO.:
PROJECT LOCATION: TARLAC STATE UNIVERSITY COLLEGE OF ENGINEERING AND TECHNOLOGY, MAIN CAMPUS						PREPARED: ENGR. ALEXANDER JHON S. TABAQUERO P.L. ENGR. MEMBER	DATE: DECEMBER 2021	PAGE NO: 1/6



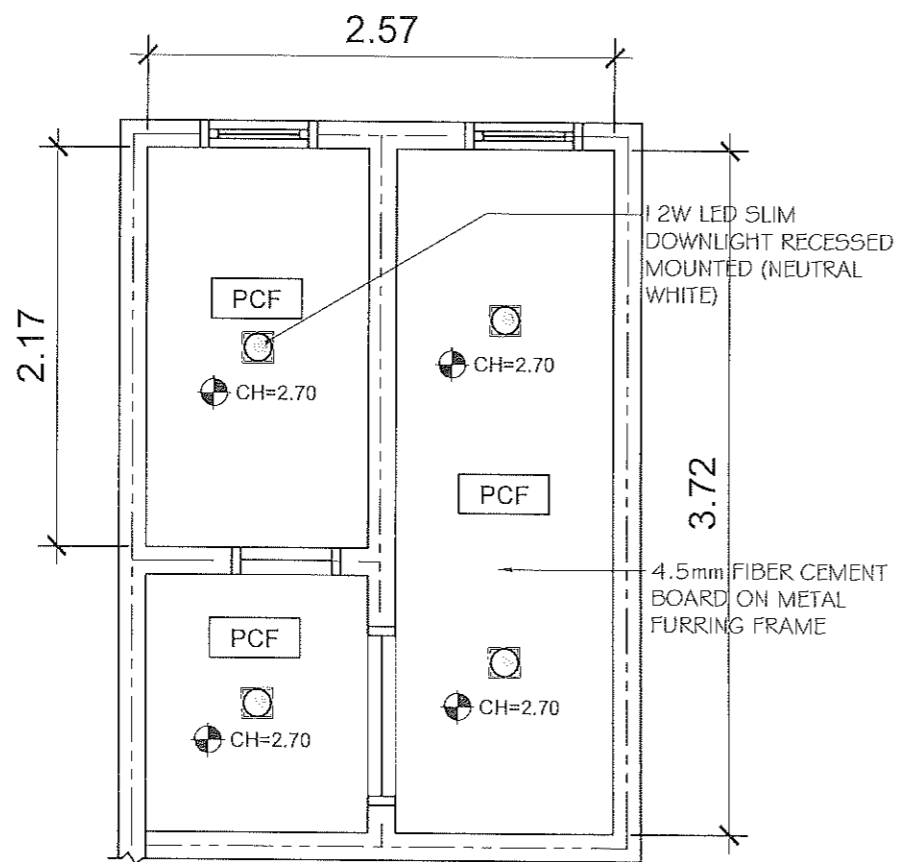
**FLOOR PLAN**  
SCALE 1:40 MTS.

**FLOOR FINISH LAYOUT**  
SCALE 1:40 MTS.



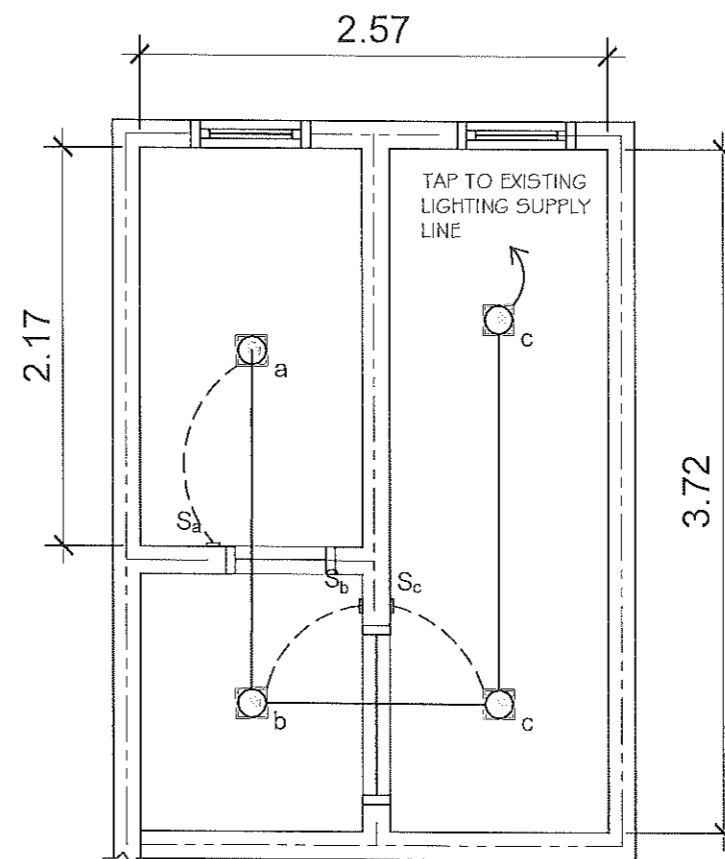
<b>TARLAC STATE UNIVERSITY</b> Facilities Development and Management Office Romulo Boulevard, Tarlac City, Philippines 2300	PROJECT TITLE: REFURBISHMENT OF CET LIBRARY COMFORT ROOM WITH STOCKROOM AND CBA LIBRARY COMFORT ROOM	REQUESTING OFFICE: MRS. CYNTHIA M. BOGNOT LMS, DIRECTOR	CHECKED BY: ENGR. RYAN M. LAYUG FMDO-PMU, HEAD	RECOMMENDING APPROVAL: AR. FERDINAND S. VALENCIA FMDO, DIRECTOR	RECOMMENDING APPROVAL: DR. MARLON V. GAMIDO VP ADMIN AND FINANCE	APPROVED BY: DR. MYRNA Q. MALLARI PRESIDENT	CHECKED: AR. FERDINAND S. VALENCIA ARCHITECTURAL	SHEET CONTENTS: AS SHOWN	SHEET NO.:
	PROJECT LOCATION: TARLAC STATE UNIVERSITY COLLEGE OF ENGINEERING AND TECHNOLOGY, MAIN CAMPUS	PREPARED BY: ENGR. ALEXANDER JOHN S. TABAQUERO CIVIL ENGINEER	DATE: DECEMBER 2021	PAGE NO.: 2/6					

PA-28-21



PCF 4.5mm THK. SMOOTH PAINTED FINISH FIBER CEMENT BOARD (OFF WHITE)

REFLECTED CEILING PLAN  
SCALE 1:40 MTS.

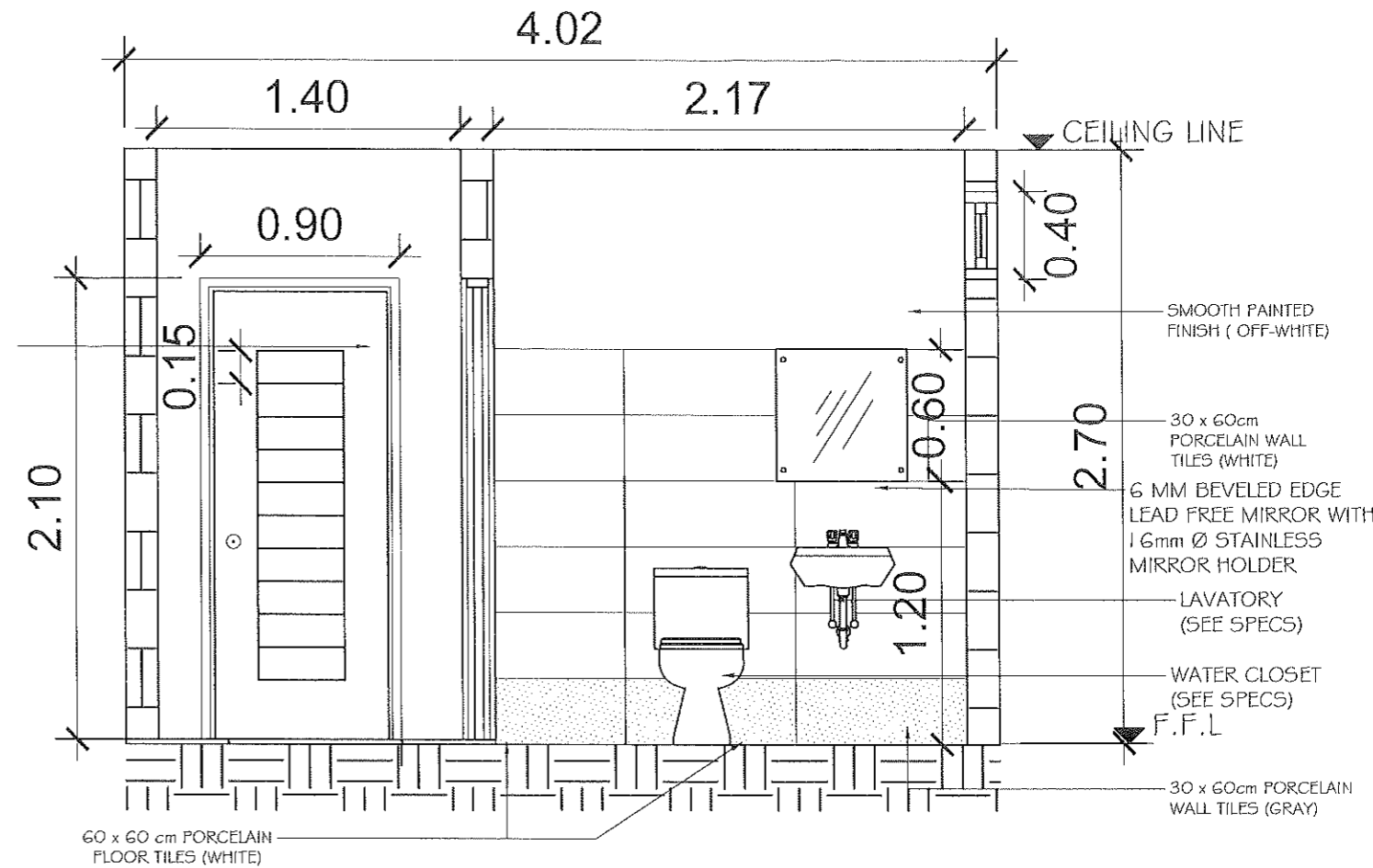
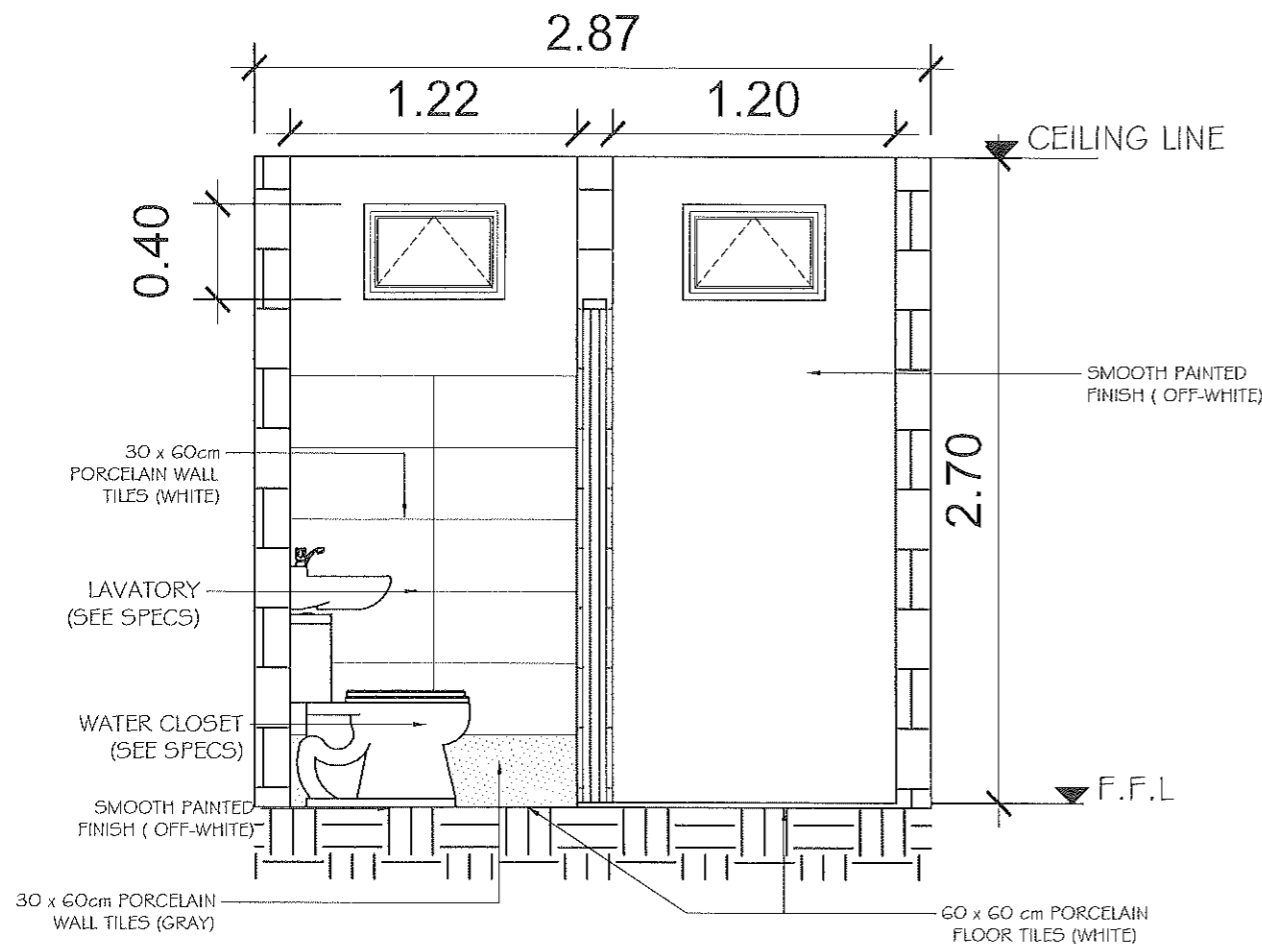


ELECTRICAL LIGHTING LAYOUT  
SCALE 1:40 MTS.



**TARLAC STATE UNIVERSITY**  
Facilities Development and  
Management Office  
Romulo Boulevard, Tarlac City, Philippines 2300

PROJECT TITLE: REFURBISHMENT OF CET LIBRARY COMFORT ROOM WITH STOCKROOM AND CBA LIBRARY COMFORT ROOM	REQUESTING OFFICE: MRS. CYNTHIA M. BOGNOT LMS, DIRECTOR	CHECKED BY: ENGR. RYAN M. LAYUG FDMO-PMU, HEAD	RECOMMENDING APPROVAL: AR. FERDINAND S. VALENCIA FDMO, DIRECTOR	RECOMMENDING APPROVAL: DR. MARLON V. CAMIDO VP ADMIN AND FINANCE	APPROVED BY: DR. MYRNA Q. MALLARI PRESIDENT	CHECKED: AR. FERDINAND S. VALENCIA ARCHITECTURAL	SHEET CONTENTS: AS SHOWN	SHEET NO: PAGE NO: 3/6
PROJECT LOCATION: TARLAC STATE UNIVERSITY COLLEGE OF ENGINEERING AND TECHNOLOGY, MAIN CAMPUS						PREPARED: ENGR. ALEXANDER JHON S. TABAQUERO ELECTRICIAN	DATE: DECEMBER 2021	



SECTION THRU "X"  
SCALE 1:40 MTS.

SECTION THRU "Y"  
SCALE 1:40 MTS.

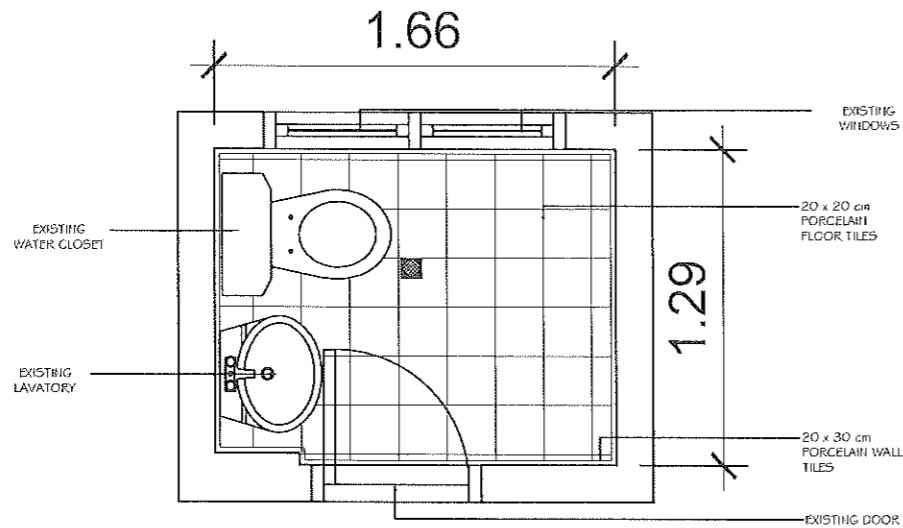
D1 1 - SET REQUIRED LOCATION: STOCK ROOM	D2 1 - SET REQUIRED LOCATION: COMFORT ROOM	W1/W2 2 - SET REQUIRED LOCATION: COMFORT ROOM & STOCK ROOM
MELINA PANEL DOOR (SMOOTH VARNISH FINISH) 0.50mm THICK GI DOOR JAMB WITH DOME TYPE DOOR KNOB AND COMPLETE ACCESSORIES	PVC DOOR (WHITE) W/ JAMB SET 60x210 cm and 35 mm THICK AND COMPLETE ACCESSORIES	6mm THK REFLECTIVE GLASS WITH WHITE POWDER COATED ALUMINUM AWNING WINDOW AND COMPLETE ACCESSORIES

SCHEDULE OF DOORS & WINDOWS

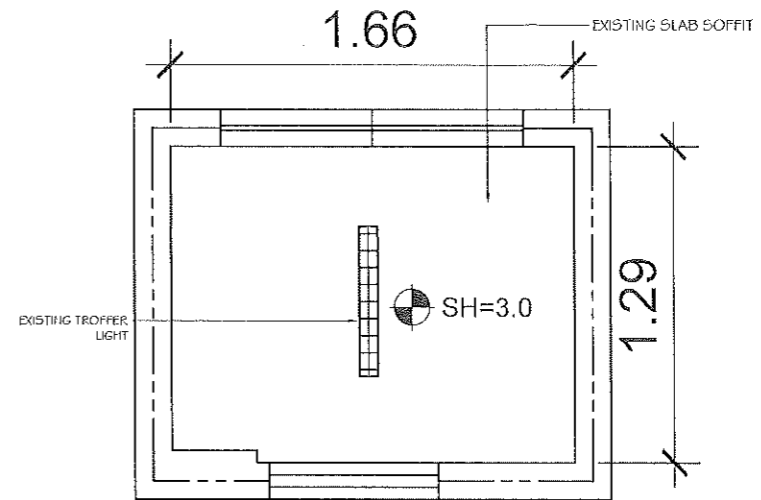


PROJECT TITLE: REFURBISHMENT OF CET LIBRARY COMFORT ROOM WITH STOCKROOM AND CBA LIBRARY COMFORT ROOM	REQUESTING OFFICE: MRS. CYNTHIA M. BOGNOT LMS, DIRECTOR	CHECKED BY: ENGR. RYAN M. LAYUG FDMS-PMU, HEAD	RECOMMENDING APPROVAL: AR. FERDINAND S. VALENCIA FMDO, DIRECTOR	RECOMMENDING APPROVAL: DR. MARLON V. GAMIDO VP ADMIN AND FINANCE	APPROVED BY: DR. MYRNA Q. MALLARI PRESIDENT	CHECKED: AR. FERDINAND S. VALENCIA ARCHITECTURAL	SHEET CONTENTS: AS SHOWN	SHEET NO: PAGE NO: 4/6
PROJECT LOCATION: TARLAC STATE UNIVERSITY COLLEGE OF ENGINEERING AND TECHNOLOGY, MAIN CAMPUS						PREPARED: ENGR. ALEXANDER JOHN S. TABAGUERO CIVIL ENGINEER	DATE: DECEMBER 2021	

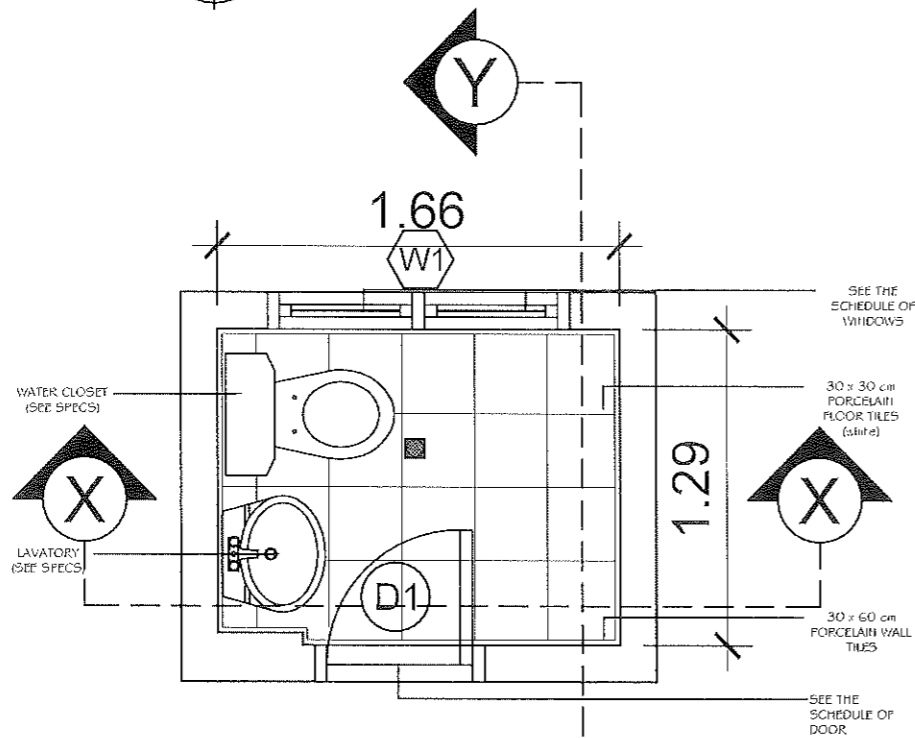
12-28-21



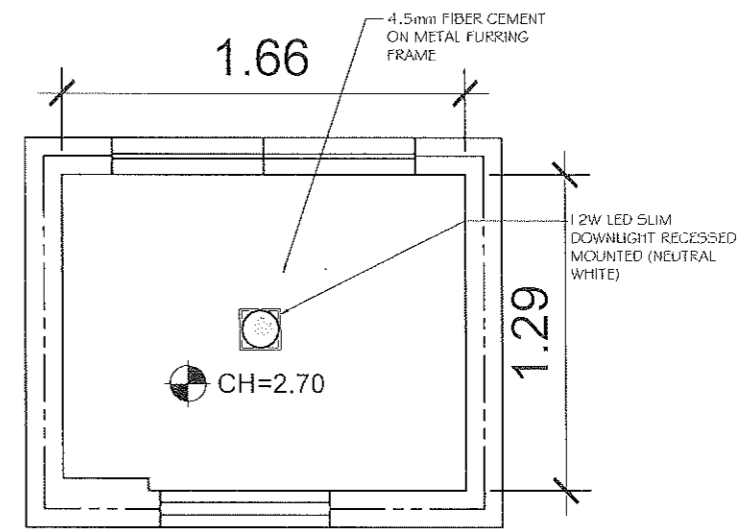
**EXISTING FLOOR PLAN**  
SCALE 1:30 MTS.



**EXISTING CEILING LAYOUT**  
SCALE 1:30 MTS.



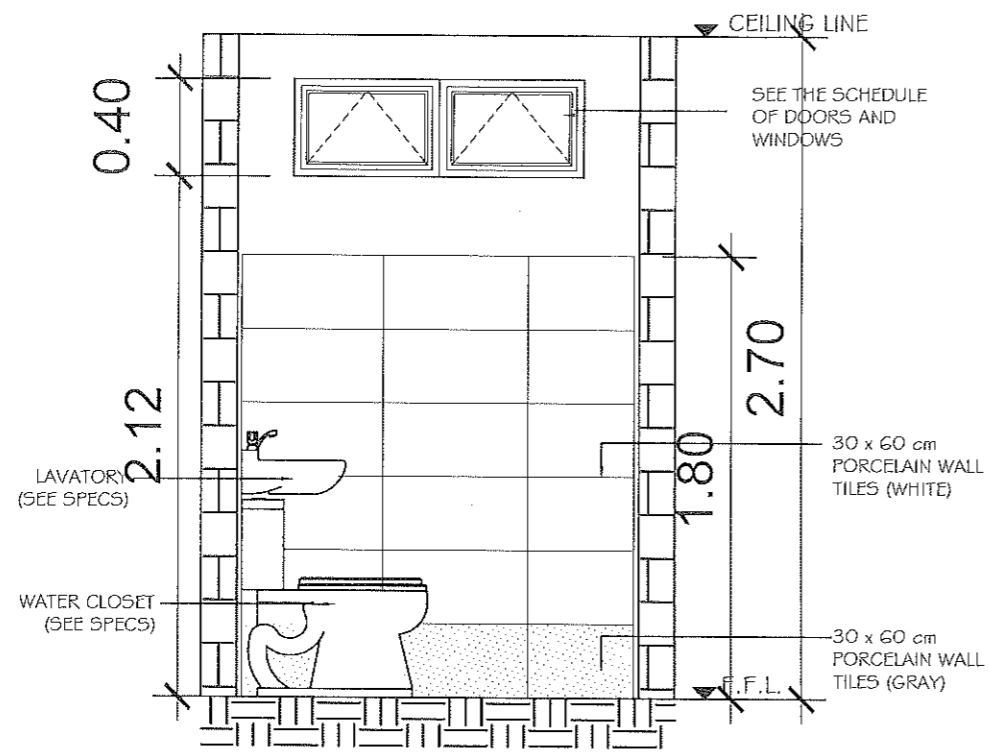
**FLOOR PLAN**  
SCALE 1:30 MTS.



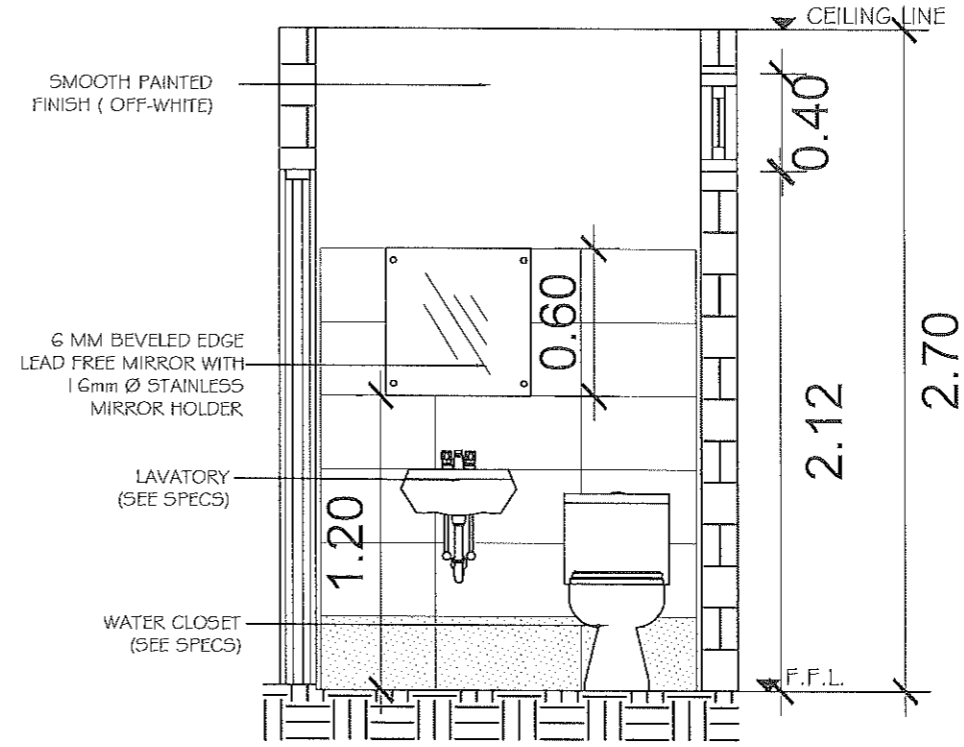
**REFLECTED CEILING PLAN**  
SCALE 1:30 MTS.



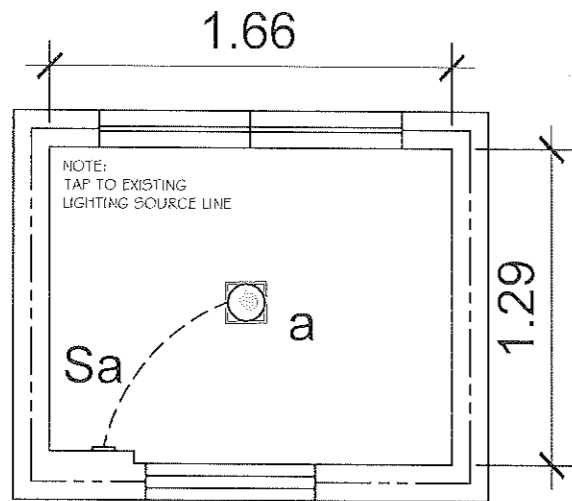
<b>TARLAC STATE UNIVERSITY</b> Facilities Development and Management Office Romulo Boulevard, Tarlac City, Philippines 2300	PROJECT TITLE:	REQUESTING OFFICE:	CHECKED BY:	RECOMMENDING APPROVAL:	RECOMMENDING APPROVAL:	APPROVED BY:	CHECKED:	SHEET CONTENTS:	SHEET NO.:
	REFURBISHMENT OF CET LIBRARY COMFORT ROOM WITH STOCKROOM AND CBA LIBRARY COMFORT ROOM	MRS. CYNTHIA M. BOGNOT LMS, DIRECTOR	ENGR. RYAN M. LAYUG ADMO-PMU, HEAD	AR. FERDINAND S. VALENCIA FMDO, DIRECTOR	DR. MARLON V. CAMIDO VP ADMIN AND FINANCE	DR. MYRNA Q. MALLARI PRESIDENT	AR. FERDINAND S. VALENCIA ARCHITECTURAL	AS SHOWN	
	PROJECT LOCATION:						ENGR. ALEXANDER JOHN S. TABAQUERO CE-2021-CEB	DATE: DECEMBER 2021	PAGE NO: 5/6



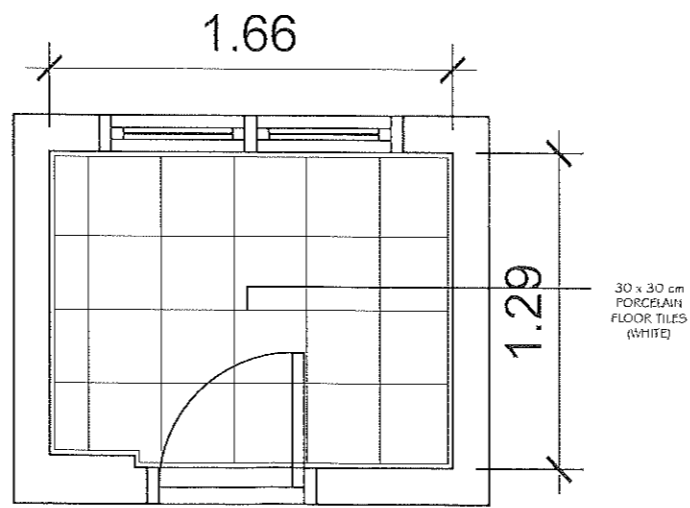
SECTION THRU "X"  
SCALE 1:30 MTS.



SECTION THRU "Y"  
SCALE 1:30 MTS.



LIGHTING LAYOUT  
SCALE 1:30 MTS.



FLOOR FINISH LAYOUT  
SCALE 1:30 MTS.

<p>1 - RT REQUIRED LOCATIONS: CBA LIBRARY COMFORT ROOM</p>	<p>1 - RT REQUIRED LOCATIONS: CBA LIBRARY COMFORT ROOM</p>
<p>PVC DOOR (WHITE) W/ JAMB SET 60x210 cm and 35 mm THICK AND COMPLETE ACCESSORIES</p>	<p>6mm THK REFLECTIVE GLASS WITH WHITE POWDER COATED ALUMINUM AWNING WINDOW AND COMPLETE ACCESSORIES</p>

SCHEDULE OF DOORS & WINDOWS

<p><b>TARLAC STATE UNIVERSITY</b> Facilities Development and Management Office Remulo Boulevard, Tarlac City, Philippines 2300</p>	<p>PROJECT TITLE: REFURBISHMENT OF CET LIBRARY COMFORT ROOM WITH STOCKROOM AND CBA LIBRARY COMFORT ROOM</p>	<p>REQUESTING OFFICE: MRS. CYNTHIA M. BOGNOT LMS, DIRECTOR</p>	<p>CHECKED BY: ENGR. RYAN M. LAYUG FMDO-PMU, HEAD</p>	<p>RECOMMENDING APPROVAL: AR. FERDINAND S. VALENCIA FMDO, DIRECTOR</p>	<p>RECOMMENDING APPROVAL: DR. MARLON V. GAMIDO VP ADMIN AND FINANCE</p>	<p>APPROVED BY: DR. MYRNA Q. MALLARI PRESIDENT</p>	<p>CHECKED BY: AR. FERDINAND S. VALENCIA ARCHITECTURAL</p>	<p>SHEET CONTENTS: AS SHOWN</p>	<p>SHEET NO: PAGE NO: 6/6</p>
	<p>PROJECT LOCATION: TARLAC STATE UNIVERSITY COLLEGE OF ENGINEERING AND TECHNOLOGY, MAIN CAMPUS</p>	<p>DATE: DECEMBER 2021</p>							